



NS750

AIR COOLED DIVE COMPRESSOR



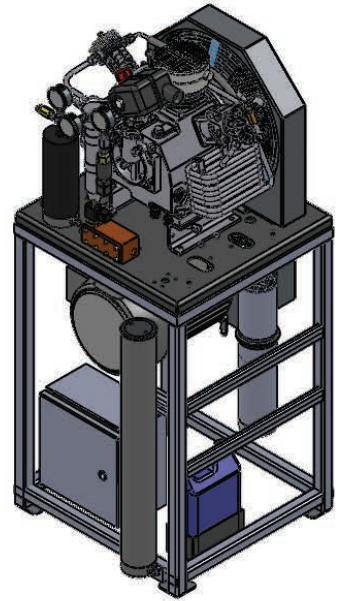
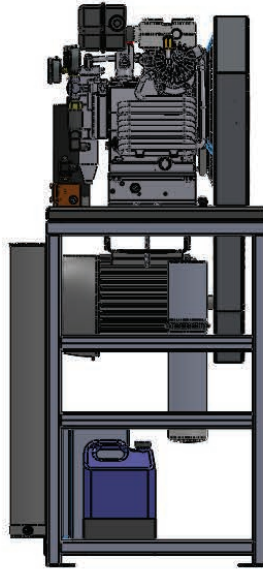
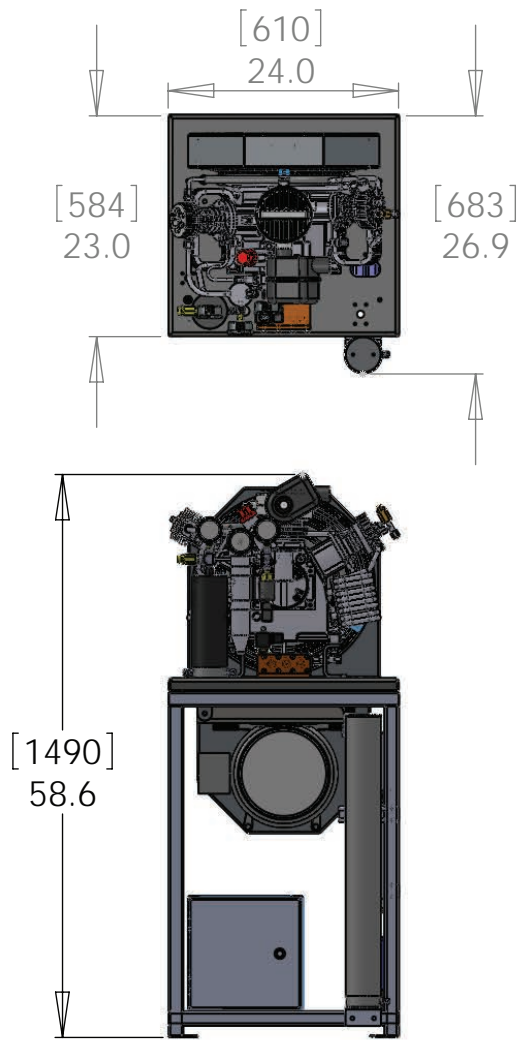
VERTICAL CONFIGURATION
WITH CASCADE

Key Features

- Remote Mount Capabilities for Several Major Components
- Auto Drain and Shut Off Standard
- Oil Pressure Shut Down and Gauge
- Large 3rd Stage Separator
- Soft Start Standard (VFD optional)
- Adjustable Fill Pressure Settings
- Auto Belt Tensioner
- Stainless Framing for Several Major Components
- Lloyds Compliant
- Stage Gauges
- Logic Controller

STANDARD FEATURES

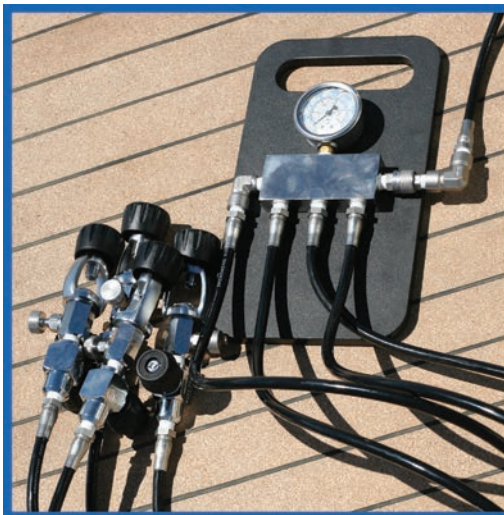
- **Bauer Mariner II compressor block, 8.4 cfm, (240 lpm), 7.5 HP (5.5 Kw)**
- **208/230/460vac/3 phase/60 Hz or 380/415vac/3 phase/50 Hz.**
- **TEFC motor** totally enclosed and fan cooled.
- **Open stainless steel frame.** Available in horizontal or vertical configuration. Custom enclosed versions are available upon request.
- **Soft start** with motor overload protection. Frequency drive available upon request.
- **PLC controller** – with LED indicator lights provide easy system diagnoses.
- **High Pressure filtration system** – 26,000cu.ft (742 cu.m).
- **High efficiency final separator** – increased separator size and efficiency extends final filter life.
- **Stainless steel stage pressure gauges** - 1st, 2nd & 3rd stage pressure gauges make compressor monitoring and diagnosis easy.
- **Stainless steel oil pressure gauge.**
- **Low oil pressure compressor shut down.**
- **High temp compressor shutdown.**
- **Compressor auto drains** - 2nd & 3rd stages.
- **Compressor hour meter.**
- **NEMA 4 x fiberglass electrical enclosure:** waterproof and corrosion proof enclosure ensures your electrical components are protected.
- **Swagelok stainless steel fittings on all equipment.**
- **Portable or stationary tank fill manifold** with 4 fill whips, stainless steel fittings, pressure gauge, 10 ft. hose to connect to high pressure compressor with quick disconnect, standard fill yokes.
- A gear bag is provided for storage of all portable manifolds.
- DIN yokes are optional and additional fill hose lengths available upon request.



NS 750 AIR COOLED



Remote Fill Panel (Optional)



Four-Way Manifold (Standard)



Remote Filtration System (Optional)