



NS450

AIR COOLED DIVE COMPRESSOR



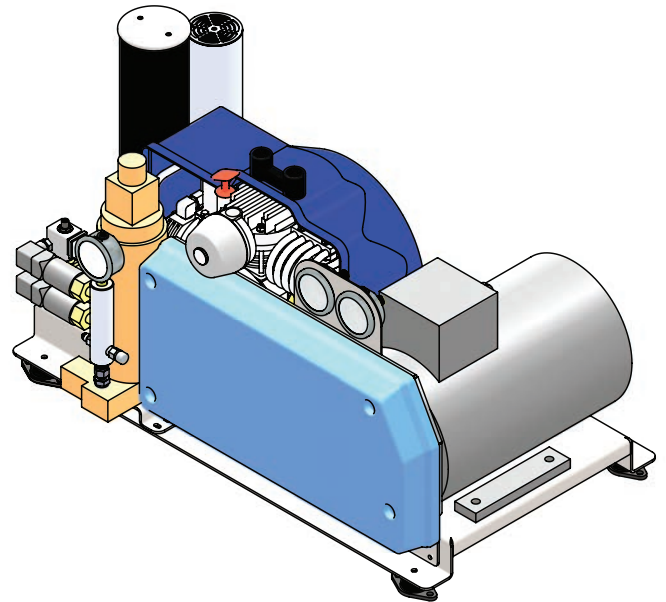
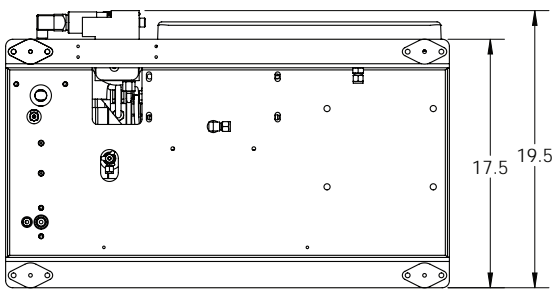
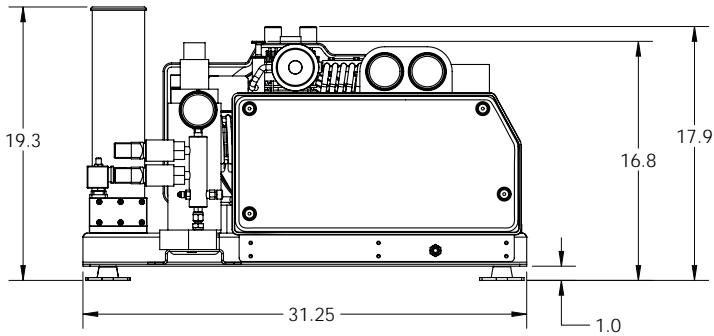
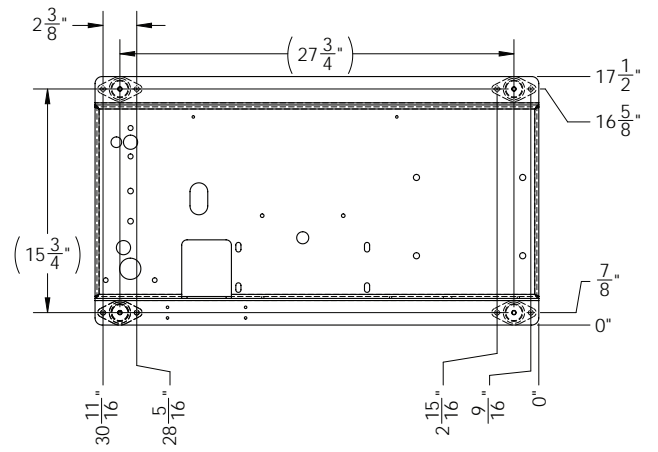
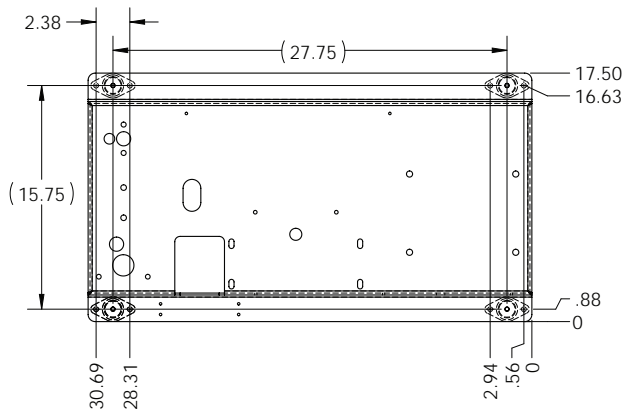
VERTICAL CONFIGURATION

Key Features

- Remote Mount Capabilities for Several Major Components
- Adjustable Fill Pressure Settings
- Auto Belt Tensioner
- Large 3rd Stage Separator
- Auto Drain and Shut Off Standard
- Soft Start is Standard
- Stainless Framing
- Lloyds Compliant
- High Temp Shut Down
- TEFC Motor

STANDARD FEATURES

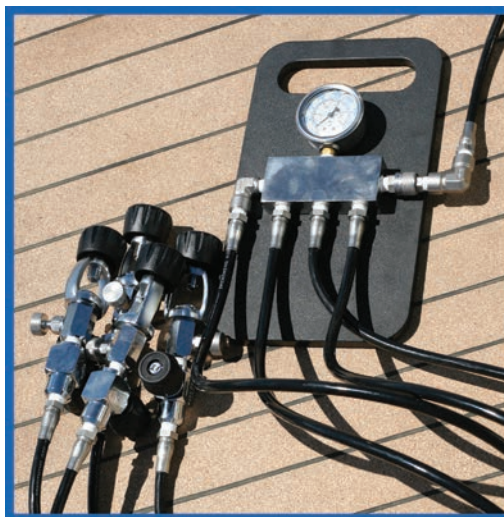
- Bauer Oceanus compressor block, 4.9 cfm, (138 lpm), 5.0 HP (3.75 Kw)
- 208/230/460vac/3 phase/60 Hz or 380/415vac/3 phase/50 Hz or 220vac10/50/60 Hz.
- TEFC motor totally enclosed and fan cooled.
- Open stainless steel frame. Available in horizontal or vertical configuration. Custom enclosed versions are available upon request.
- Soft start with motor overload protection. Frequency drive available upon request.
- PLC controller – with LED indicator lights provide easy system diagnoses.
- High Pressure filtration system – 11,500cu.ft (325 cu.m).
- Stainless steel stage pressure gauges - 1st, 2nd & 3rd stage pressure gauges make compressor monitoring and diagnosis easy.
- Stainless steel oil pressure gauge.
- High temp compressor shutdown.
- Compressor auto drains - 2nd & 3rd stages.
- Compressor hour meter.
- NEMA 4 x fiberglass electrical enclosure: waterproof and corrosion proof enclosure ensures your electrical components are protected.
- Swagelok stainless steel fittings on all equipment.
- Auto belt tension system: Reduces belt abuse
- Portable or stationary tank fill manifold with 4 fill whips, stainless steel fittings, pressure gauge, 10 ft. hose to connect to high pressure compressor with quick disconnect, standard fill yokes.
- A gear bag is provided for storage of all portable manifolds.
- DIN yokes are optional and additional fill hose lengths available upon request.



NS 450 AIR COOLED



Remote Fill Panel (Optional)



Four-Way Manifold (Standard)



Remote Filtration System (Optional)